



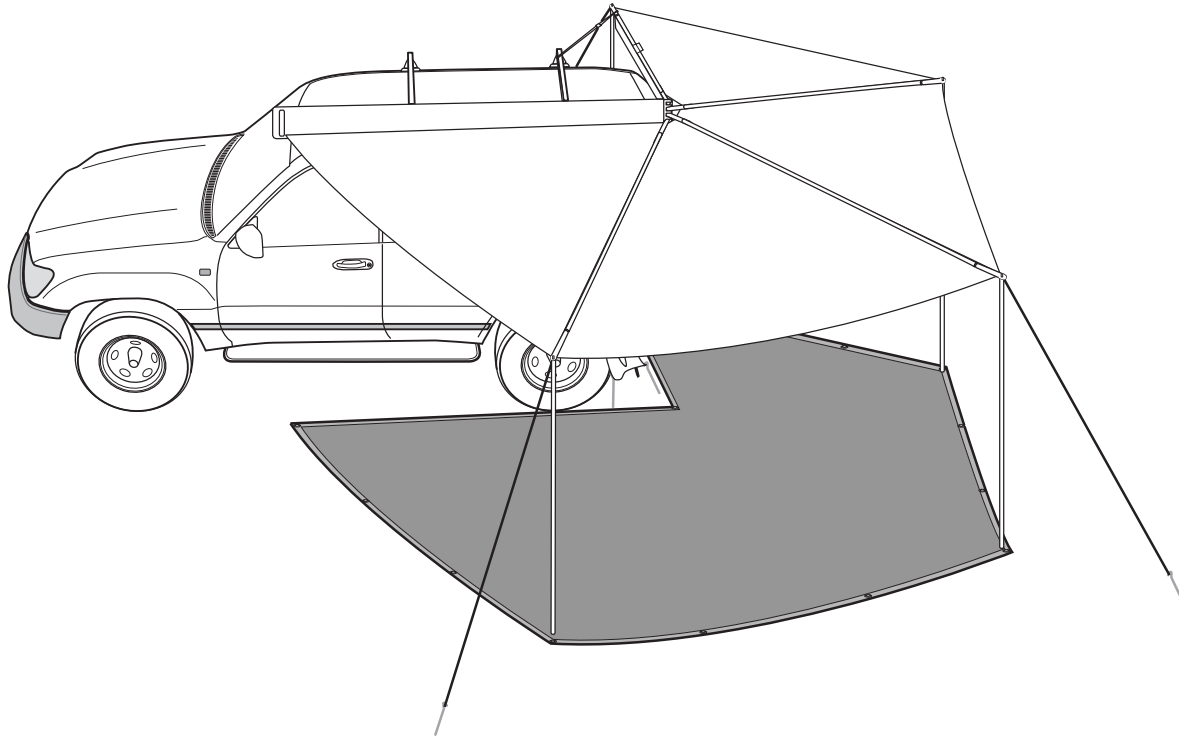
CONTROLLED

RHINO-RACK

Rhino-Rack Batwing Mesh Floor Saver (31115)

Important: Please read these instructions carefully prior to installation. Please refer to your fitting instruction to ensure that the roof racks are installed in the correct locations. Check the contents of kit before commencing fitment and report any discrepancies. Place these instructions in the vehicle's glove box after installation is complete.

Layout



Important Information

Recommendations

It is essential that all bolt connections be checked after driving a short distance when you first install your Rhino Batwing Awning. Bolt connections should be checked again at regular intervals (probably once a week is enough, depending on road conditions, usage, loads and distances travelled). You should also check the roof bars each time they are refitted.

Use only non-stretch fastening ropes or straps.

Please remove Batwing Awning and crossbars when putting vehicle through an automatic car wash.

Load Ratings

With the addition of the Batwing Awning, the load capacity of your crossbars will have to be adjusted accordingly. The Batwing Awning and 2 crossbars weigh approximately 19kg. When roof racks are to be used in off-road conditions, please build a safety factor of 1.5 into this load limit. Although the roof racks are tested and approved to AS1235-2000, Australian road conditions can be much more rigorous.

Note for Dealers and Fitters:

It is your responsibility to ensure these fitting instructions are given to the end user or client

Rhino-Rack, 22 Hanson Pl, Eastern Creek
NSW 2766, Australia
(02) 8846 1900
rhinorack.com.au

Document No: R700
Prepared By: K.Everett
Authorised By: N.Clarke

Issue No: 02
Issue Date: 23/03/2018

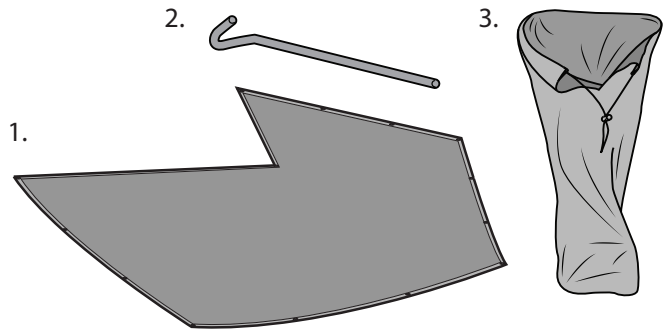
These instructions remain the property of Rhino-Rack Australia Pty. Ltd. and may not be used or changed for any other purpose than intended.



Rhino-Rack Batwing Mesh Floor Saver (31115)

Parts List

Item	Component Name	Qty	Part
1	Batwing Mesh Floor	1	31115
2	Metal Peg	14	C909
3	Bag	1	-
4	Fitting Instruction	1	R700



Tools Required:

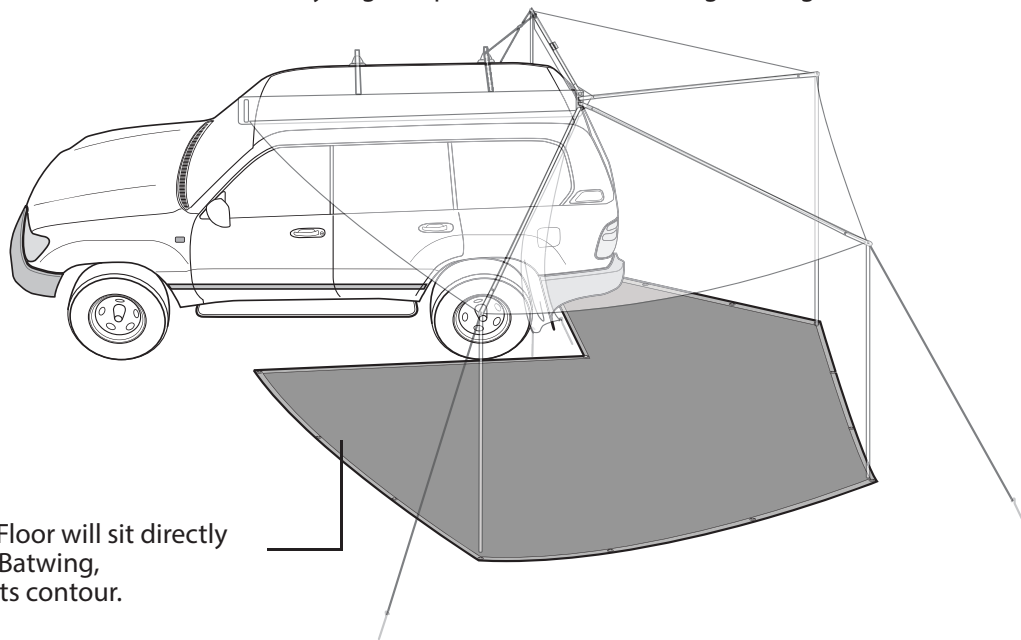
Mallet

Parts Required:

Batwing Awning

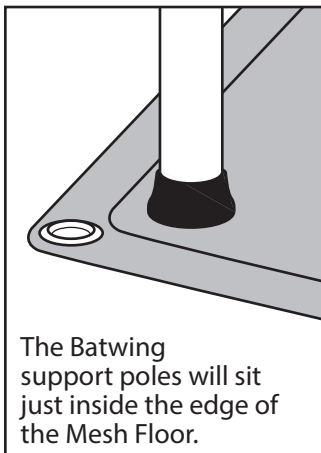
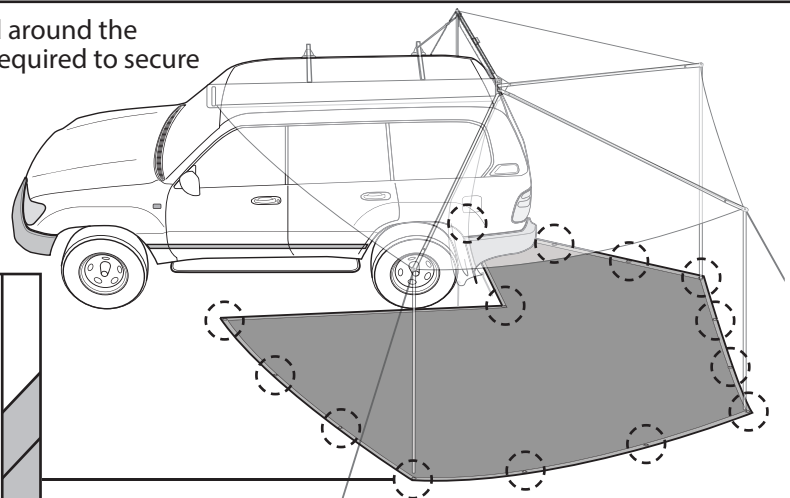
Instructions

- 1** Remove the Mesh Floor from its carry bag and place under the Batwing Awning.

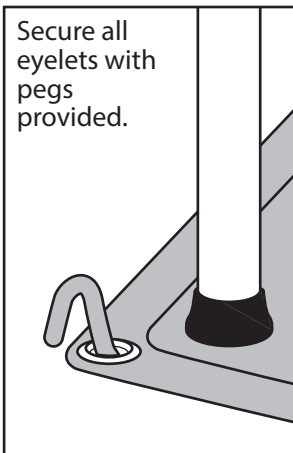


The Mesh Floor will sit directly under the Batwing, following its contour.

- 2** Use the pegs provided in the 14 eyelets found around the perimeter of the Mesh Floor. A mallet will be required to secure them in place.



The Batwing support poles will sit just inside the edge of the Mesh Floor.



Secure all eyelets with pegs provided.